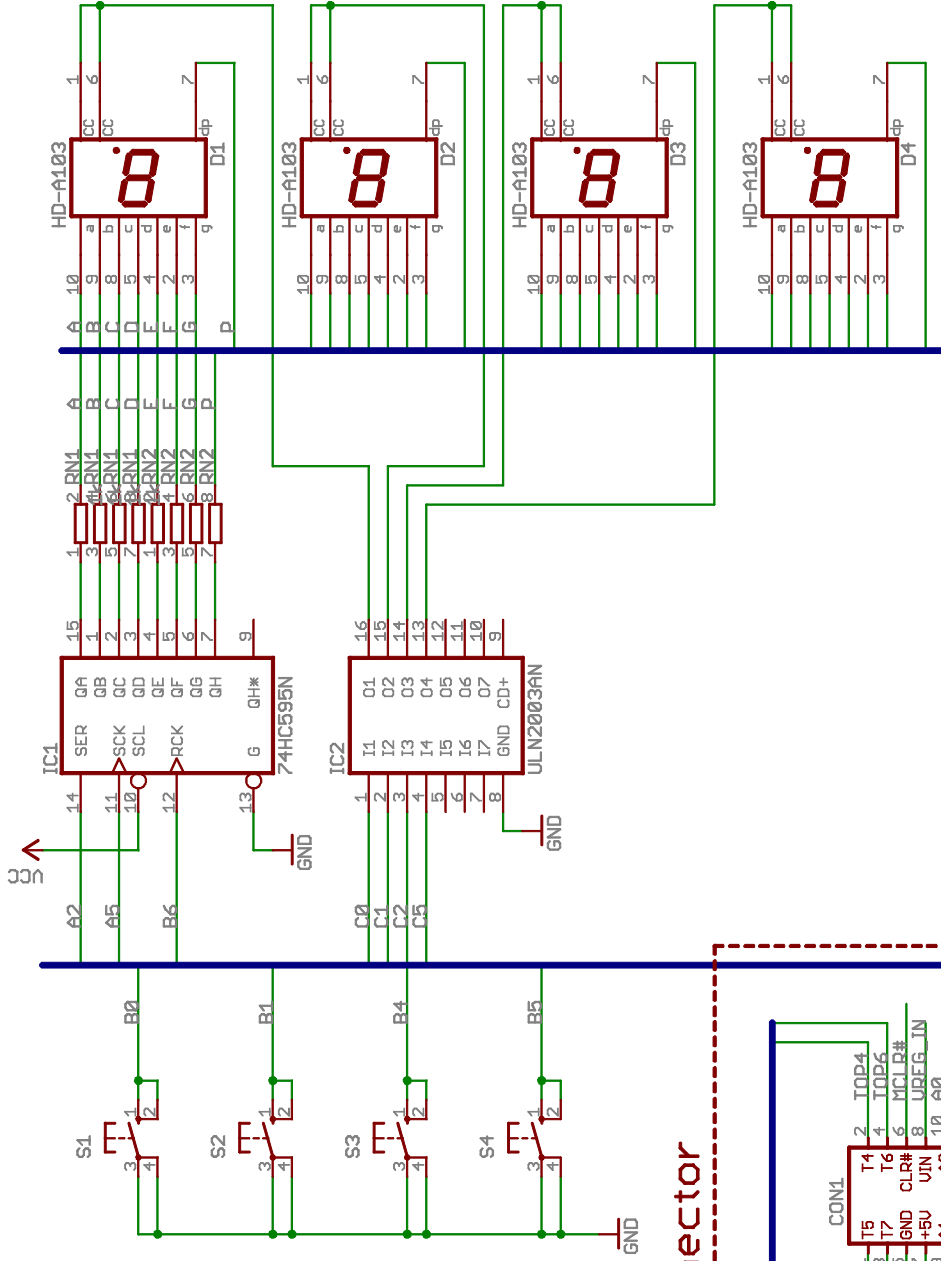
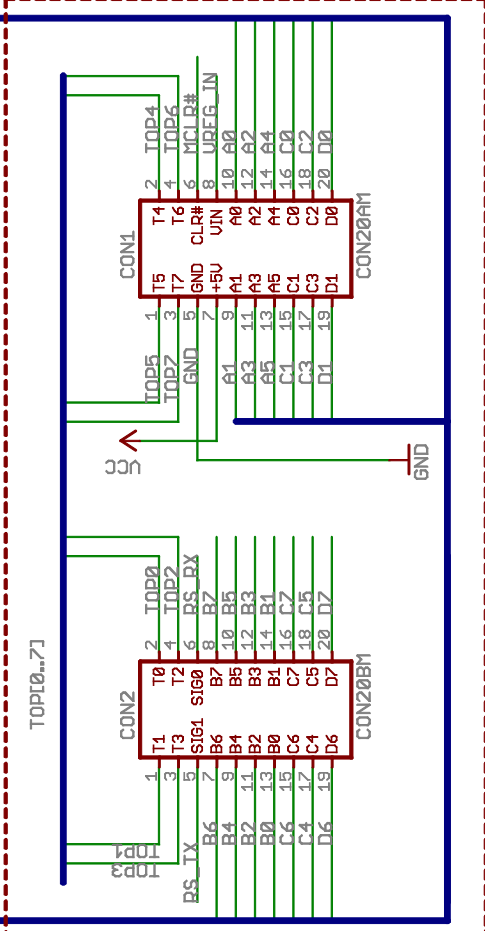


RA0, RA1 and RA3 can be used as analog input via frontend board.



Daughter Board Connector



Compact Daughter Board - Modtronix Engineering

TITLE: dev7tcr1

Document Number:

REV:

Date: 11/15/2004 05:27:34p

Sheet: 1/1