

1

2

3

4

5

6

A

A

B

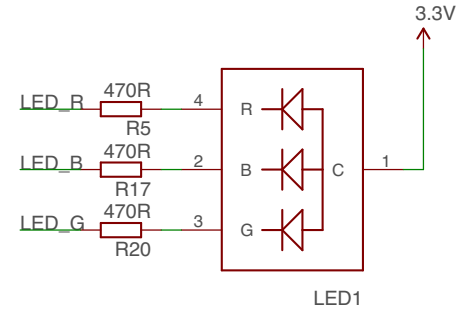
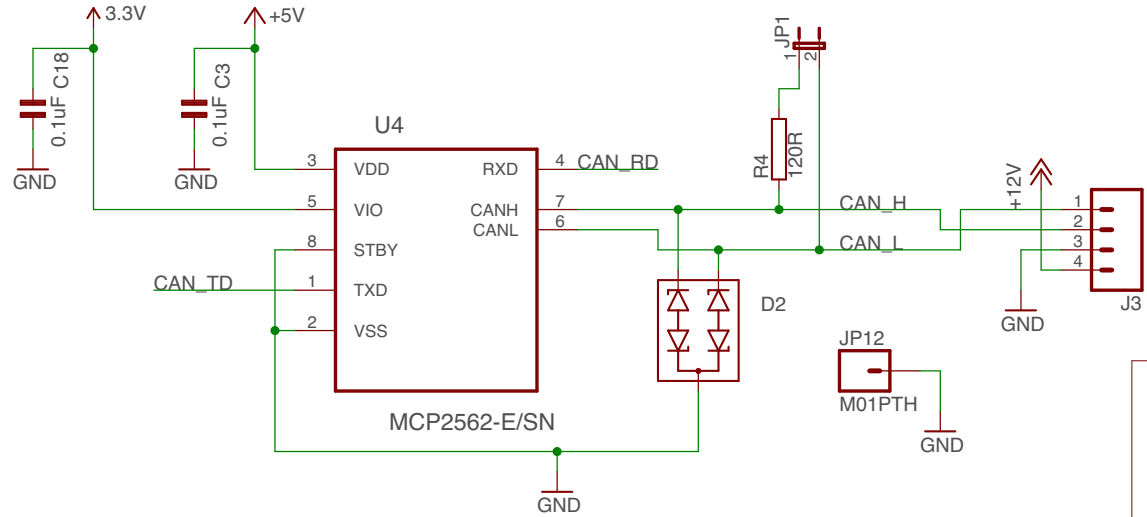
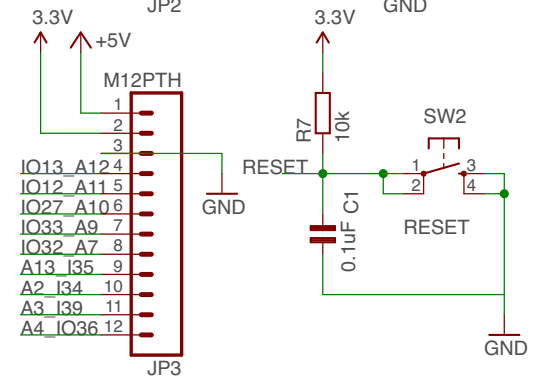
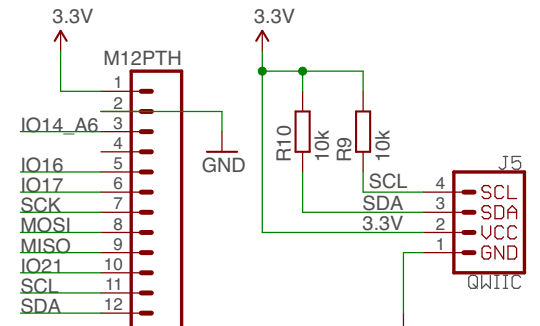
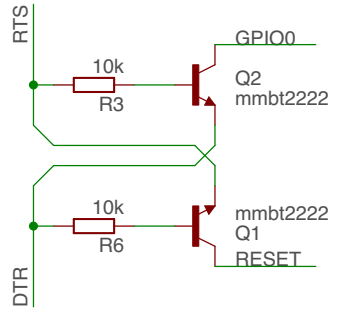
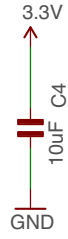
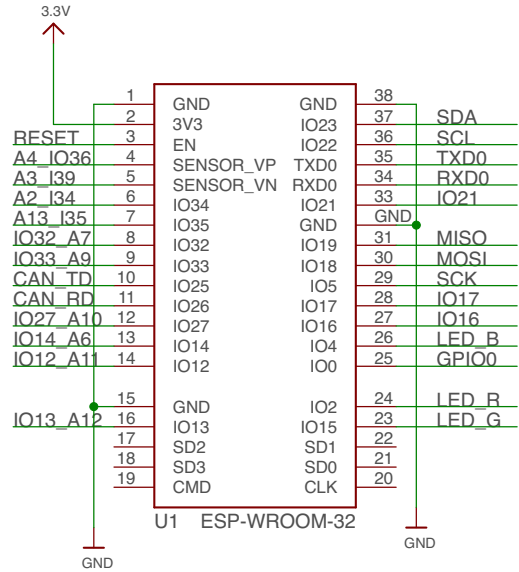
B

C

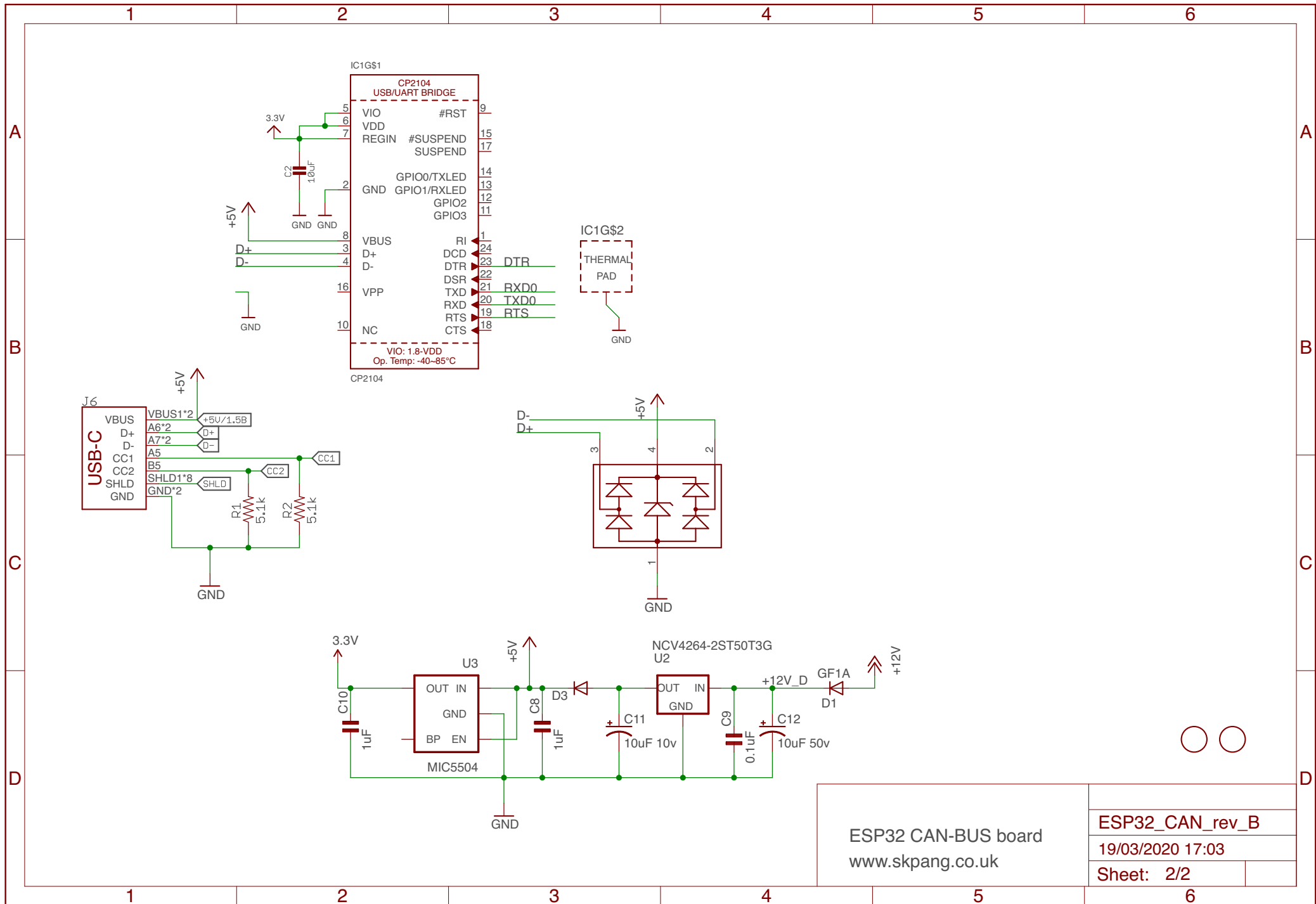
C

D

D



ESP32 CAN-BUS board		ESP32_CAN_rev_B	
www.skpang.co.uk		19/03/2020 17:03	
		Sheet: 1/2	Rev C



ESP32 CAN-BUS board
www.skpang.co.uk

ESP32_CAN_rev_B
19/03/2020 17:03
Sheet: 2/2